

Advanced Environmental Instrumentation

Harnessing the Power of Mobile Computing



✓ Surveyed

✓ Documented

✓ Reported



Example AdvancedSense, WolfPack Screens*

Live Graph

Logging: LEED Flush-Out Test

Min 474; Max 1003 µg/m3

Realtime

| File | Log | Probe | View |
|-------------------|-----|-------|------|
| TVOC | | 462 | ppb |
| Ozone | | 0.49 | ppm |
| Ammonia | | 1.2 | ppm |
| Hydrogen Sulfide | | 0.40 | ppm |
| Temperature | | 24.4 | °C |
| Relative Humidity | | 29.3 | %RH |
| Toluene | | 245 | ppb |

VOC Compound Details

Toluene

Chemical Formula: C7H8
Alternate name(s): Methylbenzene, Phenylmethane
Calibration Correction Factor: 0.53
OSHA PEL: 200ppm

Common Source(s): IAQ; (very common)
Nail polish, paints, paint thinners, lacquers, adhesives, rubber cement, inks, fabric dyes, cosmetics, auto exhaust, gasoline, kerosene, heating oil, cigarette smoke, Industrial: rubber mfg, leather tanning, printing processes

attached video note

attached field (template) note

attached text note

probe calibration history

AdvancedSense Environmental Test Meter

TOXIC GAS TVOC PROBE

*Probes also connect to Windows Tablets, Laptops, PCs

Audio Notes

| File | Log | Probe | View |
|-------------------|-----|-------|-------|
| Barometric | | 0.992 | atm |
| TVOC | | 1532 | µg/m3 |
| Chlorine | | 3.14 | mg/m3 |
| Nitrogen Dioxide | | 0.70 | mg/m3 |
| Sulfur Dioxide | | 3.2 | mg/m3 |
| Temperature | | 72.2 | °F |
| Relative Humidity | | 20.2 | %RH |

Audio Note

ERASE

Live: Welding Shop

On-board Video Help

ADVANCEDSENSE® TVOC

DIRECTSENSE®

Multi-Gas PID Meters

GrayWolf is transforming how to Measure, Data-Log and Report on worker and general environmental exposure levels. The AdvancedSense TVOC is a powerful data collection tool, packed with on-board application information and advanced documentation features; highly intuitive and Easy-To-Use.

- VOCs, %RH, °F/°C and up to 3 specific gas sensors per probe
- Choice of PID sensors optimized for ppb or ppm VOC concentrations
- On-board list of 250+ compounds detected by the PID sensor
- On-screen info about common VOCs including typical indoor air sources, worker exposure limits and much more...
- Response factors for common compounds; display/log corrected VOC values
- Productivity tools: audio notes, text notes, data file linked photos and more...
- WolfSense® PC desktop data transfer & analysis software included
- Optional GrayWolfLive™ WiFi access to data & notes, with e-mail/text alerts when alarm conditions are exceeded



GRAYWOLF®
SENSING SOLUTIONS
PH. 1-203-402-0477
FAX: 1-203-402-0478

EMAIL:
SALESTEAM@GRAYWOLFSENSING.COM

WEBSITE:
WWW.GRAYWOLFSENSING.COM



ADVANCEDSENSE® DIRECTSENSE® TVOC

Multi-Gas PID Meters

TG-502, TG-503, VOC-103 VOC Probes

SPECIFICATIONS:

VOCs (SEN-B-VOC-PPMH PID sensor, 10.6eV lamp) Range: 0.1 to 10,000ppm

10.6 eV PIDs do not respond to VOCs with ionization potentials >10.6, such as methane (which at ~2ppm background is typically preferable *not* to measure), ethane or formaldehyde. However, they do respond to the vast majority of VOCs. Standard calibration is to Isobutylene. Users may calibrate to alternative VOCs.

VOCs (SEN-B-VOC-PPB PID sensor, 10.6eV lamp) Range: 5 to 20,000ppb
(user selectable units: ppb, ppm, µg/m3, mg/m3)

Carbon Dioxide (TG-503 only) Range 0 to 50,000ppm, 0 to 5%
Accuracy ±3% reading ±150ppm (alt 0-10,000ppm range; Acc ±3% reading ±50ppm)

Relative Humidity: Range: 0.0 to 100.0 %RH
Accuracy: ±2%RH <80%RH (±3%RH>80%RH)

Temperature: Range: 5.0° to 160.0°F (-15° to +70°C)
Accuracy: ±0.3°C

Response Time: VOC, %RH, CO2 and °F/°C sensor
All exhibit 90% response <1 minute

Probe Dimensions: 2in. (5cm) dia. x 12.5in. (30cm) lgth.

Weight (probe): w/batteries 1lb. 10oz. (0.7kg)

Probe Power: 2 x D cells; typical battery life 120+ hrs (60+ hrs for TG-503)
Alternatively, power the sensors continuously from the meter/mobile PC or auto-switch when probe batteries are <20%

Operating Range: 0 to 90 %RH (non-condensing), -15°C to 60°C
Specific gas sensors may have a reduced operating range

PC Software Requirements: Windows 8/7/XP

SPECIFICATIONS ARE SUBJECT TO CHANGE WITHOUT FURTHER NOTICE

- Specify low (ppb) or high (ppm) range PID sensor. Add up to 3 electrochemical gas sensors per TG-502 probe, 2 per TG-503 (EC gas sensors n/a for VOC-103).

Choose from:

O₃ NH₃ Cl₂ EtO HCl O₂ CO
SO₂ NO NO₂ HCN AsH₃ H₂S
F₂ ClO₂ COCl₂ SiH₄ PH₃ HF

Note 1: Specialty mid-range VOC (200ppm, 2000ppm, 6000ppm) PID sensors are available

Note 2: An NDIR CO₂ sensor may also be added to the TG-503 probe

Note 3: A CO/H₂S combo sensor is also available (both gases from a single sensor)

Note 4: HCl, EtO or NO cannot be installed in combination into a single probe

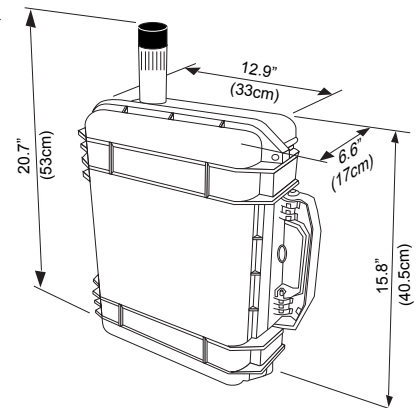
- Order AS/DS TVOC kits with an AdvancedSense, WIN 8 tablet, or WolfPack **included**. Or order with software and connectors to operate with your own WIN 8/7/XP computer.
- Advanced Report Generator software for automated, detailed reports, tripod kits, USB keys/cables for data download, %RH cal kits, and other accessories are available from GrayWolf. Visit our website at accessories.graywolfsensing.com.

MEASURE SMART

PCC-10 Hard-shell
▼ Security/Carry Case



REPORT EFFICIENTLY



Connect probes to AdvancedSense meters, WolfPacks or to XP/WIN7/WIN8 PCs and WIN8 tablets ▼



WIN8 tablet platforms are available from GrayWolf with security case foam cuts, pouches, etc. ▼



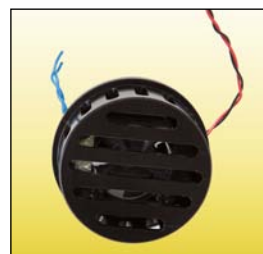
CA-HD2 Cal Hood

May alternatively be used with air pump to draw sample across sensors ▼

ACC-FIL6 Probe Filters
for dirty environments ▼



▲ Optional WolfPack®
Modular Area Monitor



▲ ACC-DSPFAN-1
Optional fan built into DirectSense probes. Allows CA-HD2 sample draw from ducts, cabinets, etc. and more

CA-GS25
PID/VOC Calibration Kit
(zero & isobutylene) ▼



Specific cal reference gases available for most sensors



**GRAYWOLF®
SENSING SOLUTIONS**
6 RESEARCH DRIVE (WORLDWIDE HEADQUARTERS)
SHELTON, CT 06484 USA
PH. (1)203-402-0477
800-218-7997
FAX: (1)203-402-0478

EMAIL: SALESTEAM@GRAYWOLFSENSING.COM

WWW.GRAYWOLFSENSING.COM

**GRAYWOLF
SENSING SOLUTIONS**
ANNACOTTY INDUSTRIAL PARK, UNIT 1C
ANNACOTTY, COUNTY LIMERICK
IRELAND
PH. (353) 61358044
FAX: (353) 61358160