



✓ Surveyed

✓ Documented

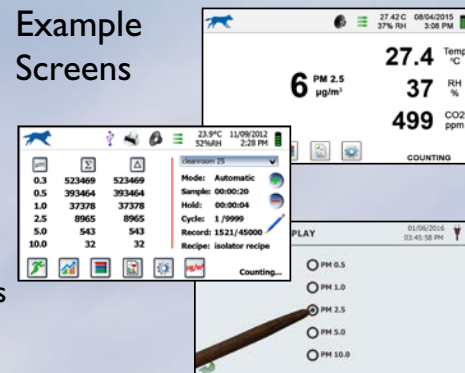
✓ Reported



Features and Benefits:

- Simultaneously displays calculated PM2.5, PM10 and TSP mass concentration in $\mu\text{g}/\text{m}^3$ (also PM0.5, PM1.0 and PM5.0).
- Measures 6 channels of simultaneous particle count data (0.3, 0.5, 1.0, 2.5, 5.0, 10.0 μm)
- Integrate into a building automation system using Ethernet, USB, RS232 or (optional) Wireless 802.11 b/g or RS485
- Access readings via Modbus RTU or (optional) cloud-based GrayWolfLive™
- Optional %RH and temperature probe
- Optional TVOC and/or carbon dioxide sensors; highly accurate PID and NDIR (PC-5005 only)
- Measures particulate 0.3 μm to 25 μm
- 0.1 CFM (2.83 LPM) flow rate via precision, brushless internal pump
- Large easy-to-use icon driven color touch screen display
- As a stand-alone, store up to 45,000 sample records, in up to 1000 location files
- Download logged readings to WolfSense® PC for analysis and/or export to CSV Format (Excel)
- Internal audible alarms, all parameters
- User-friendly field calibration
- Wall-mounting stainless steel enclosure
- 2 year limited warranty

Example Screens



PC-5000 Series

Wall-Mounted Particle/Mass Monitor Plus

Use PC-5000/5s as stand-alone, continuous particulate/IAQ meters. Or plug into mobile computers or into sophisticated AdvancedSense® systems for simultaneous connection with GrayWolf's DirectSense® probes.



- Easily download data from the PC-5000/5 using the included WolfSense PC Software to create high quality trend/bar graphs/tables with WolfSense's advanced organizational features or simply export to Microsoft Excel®.
- Optionally add Advanced Report Generator software for extremely efficient, automated reporting of particle count/concentration data.
- Easy-to-read 4.3" (10.9 cm) WQVGA (480x272) color touch screen.
- Offering 6 channels of simultaneous particle counting, this unit displays both particle counts and (PM) mass concentration ($\mu\text{g}/\text{m}^3$). PM0.5, PM1.0, PM2.5, PM5.0, PM10 and TSP may be concurrently displayed and logged.
- Optionally add simultaneous %RH and °C/°F (PC-5000) plus TVOCs and/or CO₂ (PC-5005). And even more parameters via interface to AdvancedSense Pro or tablet PC and DirectSense Probe(s).

GRAYWOLF®
SENSING SOLUTIONS
PH. 1-203-402-0477
FAX: 1-203-402-0478

EMAIL:
SALESTEAM@GRAYWOLFSENSING.COM

WEBSITE:
WWW.GRAYWOLFSENSING.COM



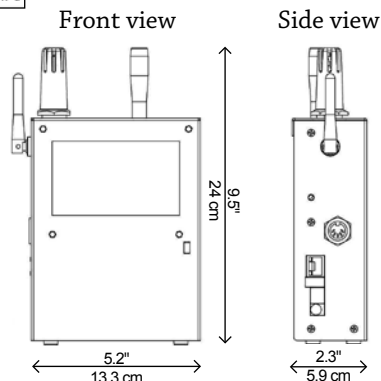
MEASURE SMART

REPORT EFFICIENTLY

PC-5000 Series

Wall-Mounted Particle/Mass Monitor Plus

| | |
|--|--|
| Size Range | 0.3 to 25µm |
| Size Channels | Factory calibrated at 0.3, 0.5, 1.0, 2.5, 5.0, 10.0 µm Custom binning available |
| Flow rate | 0.1 CFM (2.83 LPM) |
| Concentration Limit | >4,000,000 Particles/ft ³ @ 5% coincidence loss |
| Light Source | Long life laser diode |
| Counting Efficiency | 50% @ 0.3 µm; 100% for particles >0.45 µm per JIS |
| Zero Count | <1 count/5 minutes (<2 particles/ft ³) (per ISO 21501-4 & JIS) |
| Count Modes | Automatic, manual, beep, cumulative/differential counts or mass concentration |
| Count Alarms | 1 to 9,999,999 counts |
| Carbon Dioxide (Optional) | 0 to 5,000 ppm ±65ppm ±3% rdg. (PC-5005 only) |
| Relative Humidity/ Temperature (Optional) | 15 to 90 %RH ±2%RH, 32 to 122 °F (0 to 50 °C) ±1°F (0.5°C) |
| TVOCs (Optional) | 0 to 50ppm range, <5ppb L.O.D. (PC-5005 only) |
| Display | 4.3" (10.9 cm) WQVGA (480x272) color touch screen |
| Vacuum Source | Internal brushless pump with automatic flow control |
| Filtered Exhaust | Internal HEPA filter |
| Number of Channels | 6 for particulate, plus 2 for optional TRH (PC-5000), plus 2 additional for optional sensors on the PC-5005 |
| Custom Size Channels | Calibration for custom particle size channels available |
| Audible Alarm | Adjustable built-in alarm |
| Recipes | 50 user-configurable recipes |
| Communication Modes | Serial (for interface with AdvancedSense Pro, WP, Tablets and data download to WolfSensePC), USB for calibration and firmware updates RS-232 Modbus and Ethernet hardware is standard |
| Optional Communication Modes | RS-485 may be substituted for RS-232 (specify with order). Wireless 802.11 b/g (with antenna) is optional. GrayWolfLive cloud-based interface software is optional. |
| Alarm | Alarms on counts for all particle sizes, low battery, sensor failure, environmental sensors and flow |
| Standards | ISO 21501-4 and JIS B9921 |
| Factory Calibration | Recommended annually. NIST traceable (cert optional) |
| External Surface | Stainless steel |
| Dimensions (L x W x H) | 5.2" x 2.3" x 8.25" (13.3 cm x 5.9 cm x 21 cm) incl. barb fittings (9.5", 24 cm H w/isokinetic inlet) |
| Weight | 3.5 lb (1.6 kg) |
| Included Accessories | Quick start guide, operating manual on USB flash drive, isokinetic probe, purge filter, WolfSense® PC data download and basic report generation software, USB cable, power supply (spec US, UK or Euro plug) |
| Additional Optional Accessories | Calibration hood, printed manual, spare battery, isokinetic probes, WSARG Advanced Report Generator |
| Buffer Memory | 45,000 sample records (rotating buffer) including particle count data, environmental data, locations and times. Scrollable on screen or printout |
| Sample Locations | Up to 1,000 locations 20 characters long (unlimited locations 256 characters long, when interfaced to AdvancedSensePro/WolfPack/tablet with WolfSense LAP) |
| Sample Time | 1 second to 99 hours |
| Power | 110 to 240 VAC 50/60 Hz universal in-line power supply |
| Operating Conditions | 41° to 104°F (5° to 40°C)/20% to 90%RH non-condensing |
| Storage Conditions | 32° to 122°F (0° to 50°C) / Up to 98%RH non-condensing |
| Warranty | 2 years limited (1 year on internal pump and optional TVOC, CO2 sensors) |



Example ▲

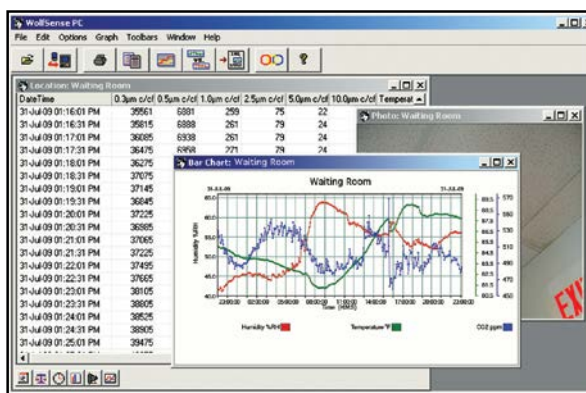
AdvancedSense Pro Screen (interface enables GrayWolf's powerful in-situ features for particulate data)

▲ Shown with optional %RH, °C/°F probe and optional WiFi antenna



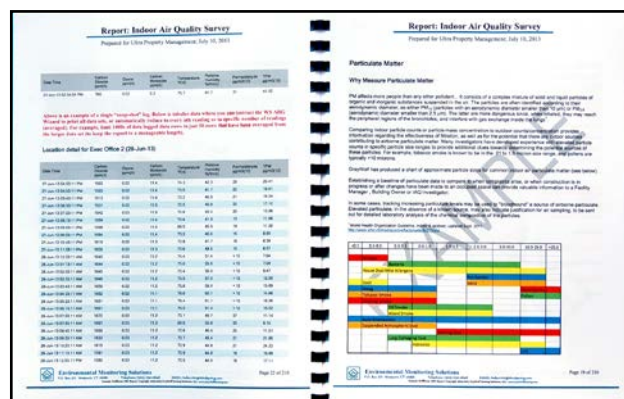
◀ Hard-shell case optional

▶ Highly recommended, (optional) PC-GW4005-HD5 gas calibration hood



◀ Example WolfSense PC Screen data transfer & analysis software (supplied as standard)

▶ Example WolfSense ARG report (optional automated report generation software)



GrayWolf Sensing Solutions reserves the right to change specifications without notice.



GRAYWOLF SENSING SOLUTIONS

6 RESEARCH DRIVE (WORLDWIDE HEADQUARTERS)
SHELTON, CT 06484 USA
PH. (1)203-402-0477
800-218-7997



EMAIL: SALESTEAM@GRAYWOLFSENSING.COM

WWW.GRAYWOLFSENSING.COM

GRAYWOLF SENSING SOLUTIONS

ANNACOTTY INDUSTRIAL PARK, UNIT 1C
ANNACOTTY, COUNTY LIMERICK
V94 PR2Y IRELAND
PH. (353) 61358044